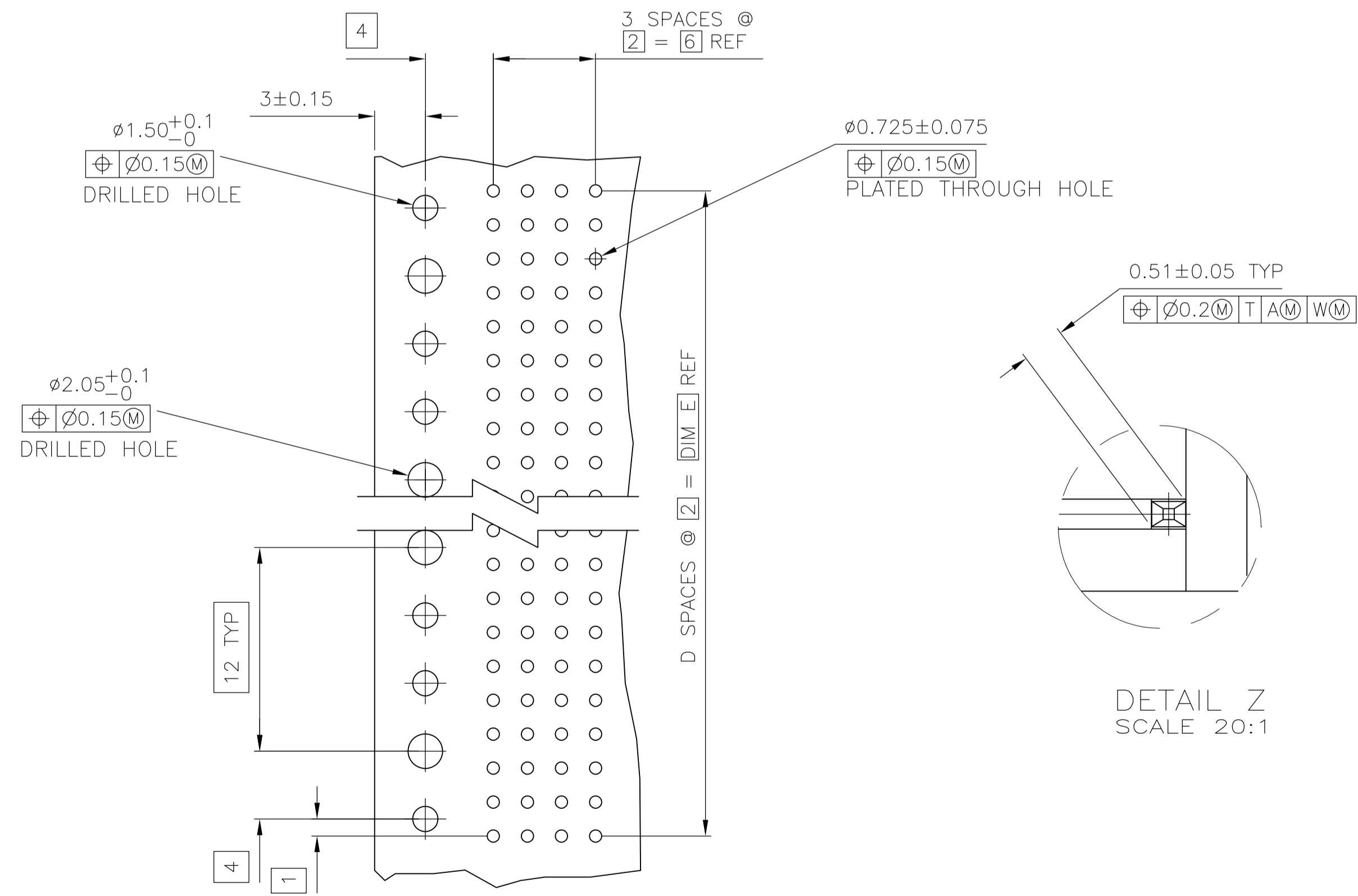
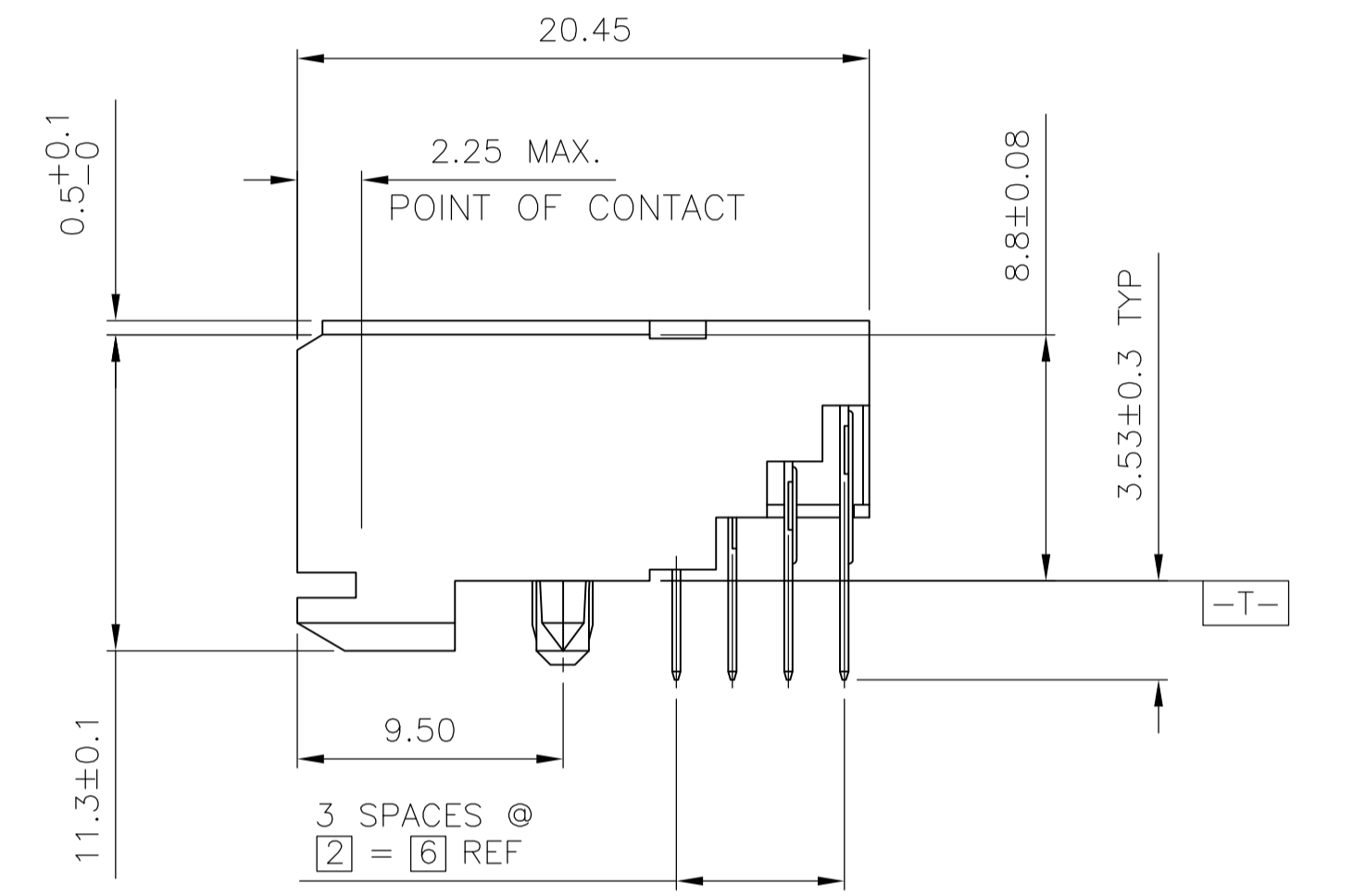
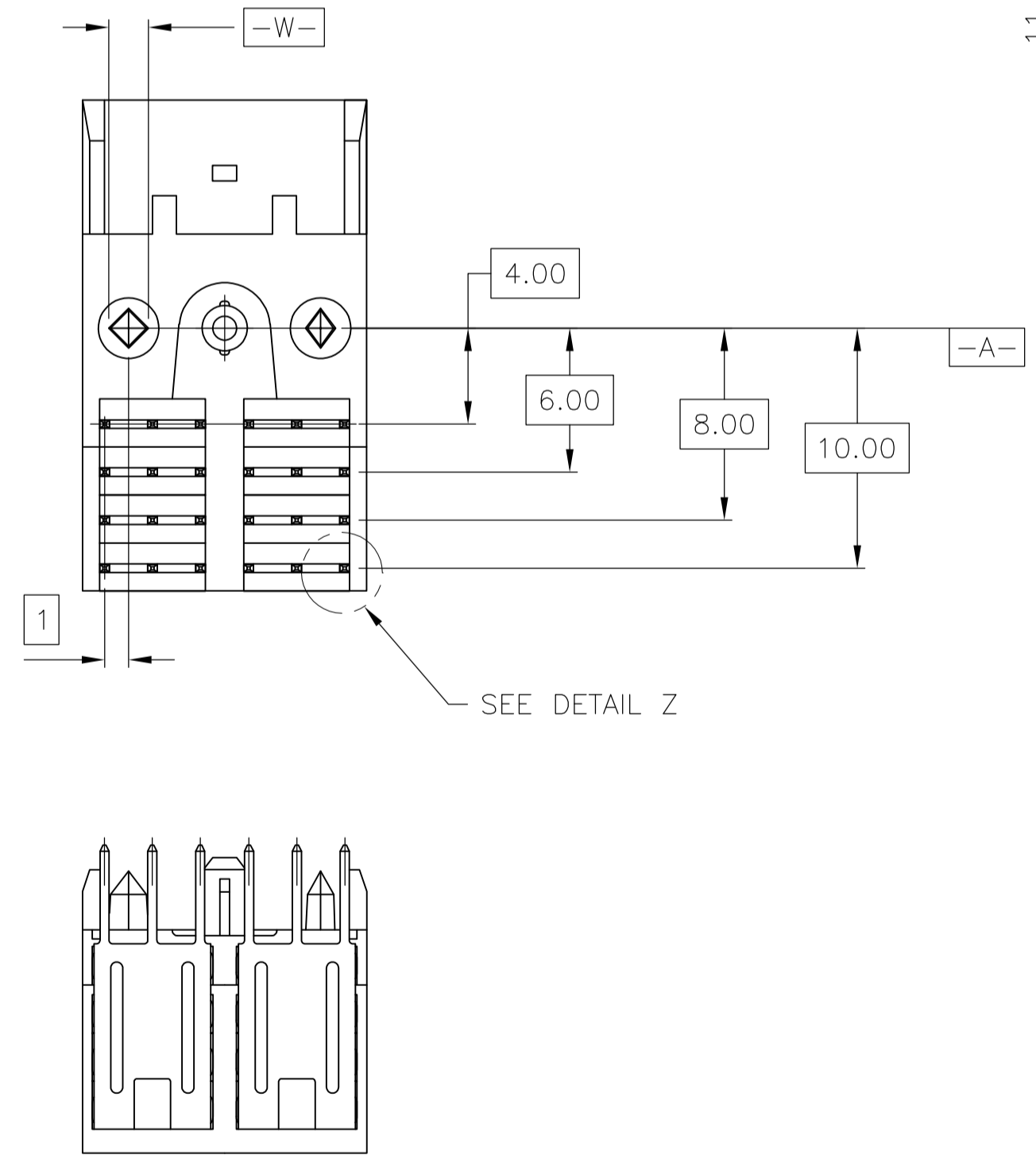
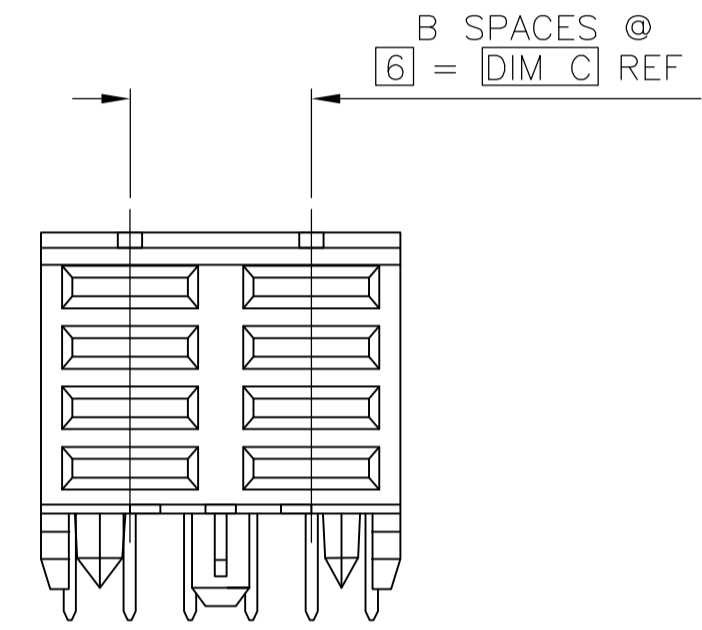
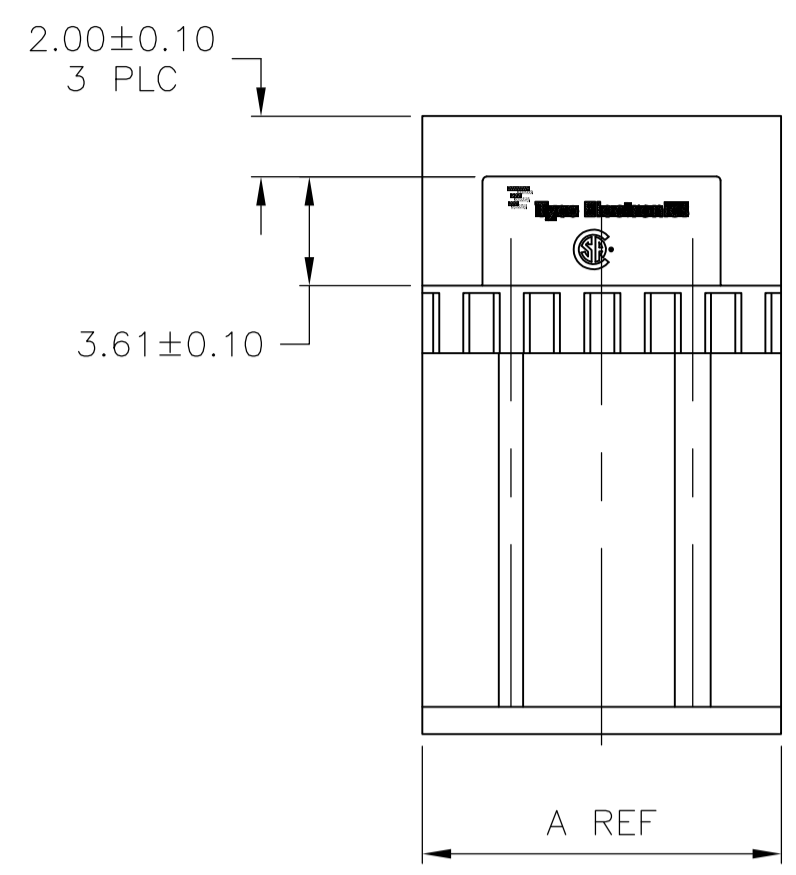


LOC		DIST		REVISIONS			
AD	00	REV	DATE	BY	CHKD	APVD	
P2		REVISED PER ECO-08-009171	22APR08	DH		AS	



- 1 HOUSING MATERIAL: LIQUID CRYSTAL POLYMER.
- 2 CONTACT MATERIAL: PHOSPHOR-BRONZE.
- 3 CONTACT FINISH:
 UNDERPLATE (ENTIRE CONTACT):
 0.00127 MIN NICKEL PER SAE-AMS-QQ-N-290
 ON MATING SURFACES:
 FLASH GOLD PER ASTM B 488, OVER
 0.00076 MIN PALLADIUM-NICKEL OVER UNDERPLATE, OR
 0.00076 MIN GOLD PER ASTM B 488 OVER UNDERPLATE.
 ON LEADS:
 0.00381 MIN TIN-LEAD OVER UNDERPLATE.
 LUBRICATION (MIN MATING SURFACES)
 SURFACE CONDITIONER AFTER PLATING.

RECOMMENDED CIRCUIT PATTERN
 PER IPC-D300 TYPE II, CLASS C
 (COMPONENT SIDE)

10	5	6	1	11.88	3	8	536613-1
E	D	C	B	A	FINISH	NO OF POSN	PART NUMBER
THIS DRAWING IS A CONTROLLED DOCUMENT.							
DIMENSIONS: mm		TOLERANCES UNLESS OTHERWISE SPECIFIED:		DWN: D.R.BENDER 09/17/92		CHK: S.HEDER 01/25/93	
0 PLC ± -		1 PLC ± -		2 PLC ± 0.13		3 PLC ± -	
4 PLC ± -		ANGLES ± -		FINISH		MATERIAL	
MATERIAL		FINISH		SIZE: A1		CAGE CODE: 00779	
DRAWING NO: 536613		RESTRICTED TO: -		SCALE: 4:1		SHEET: 1 OF 1	
CUSTOMER DRAWING		REV: P2					